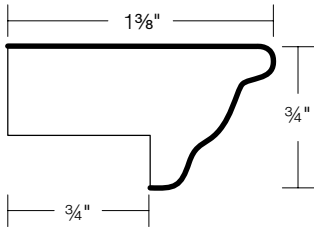


**Block 12220 Small Crown Moulding**



Alder, Cherry, Hickory, Lyptus,  
Maple, Oak, Walnut  
SCM8  
SCM10

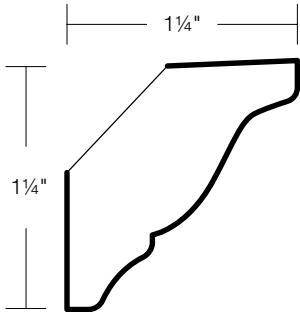
**DESIGN CONSIDERATIONS**

- Solid wood
- Overlaps 1/4" on face frame of cabinet
- Finished edges indicated by dark line
- Use Oak for Quarter Sawn Oak

**HOW TO ORDER**

- This item is sold per 8 foot length and 10 foot length.
- The lengths are nominal. An 8 foot piece of moulding will have 93" of usable length. A 10 foot piece of moulding will have 117" of usable length.
- Pricing P-355

**Block 12225 Medium Crown Moulding**



Alder, Cherry, Hickory, Lyptus,  
Maple, Oak, Walnut  
MCM8

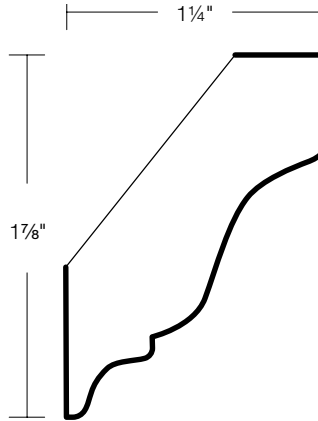
**DESIGN CONSIDERATIONS**

- Solid wood
- Finished edges indicated by dark line

**HOW TO ORDER**

- This item is sold per 8 foot nominal length. An 8 foot piece of moulding will have 93" of usable length.
- Pricing P-355

**Block 12230 Crown Moulding**



Alder, Cherry, Hickory, Lyptus,  
Maple, Oak, Walnut  
CM8  
CM10

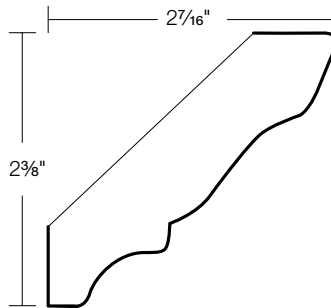
**DESIGN CONSIDERATIONS**

- Solid wood
- Finished edges indicated by dark line

**HOW TO ORDER**

- This item is sold per 8 foot length and 10 foot length.
- The lengths are nominal. An 8 foot piece of moulding will have 93" of usable length. A 10 foot piece of moulding will have 117" of usable length.
- Pricing P-355

**Block 12240 Large Crown Moulding**



Alder, Cherry, Hickory, Lyptus,  
Maple, Oak, Walnut  
LCM8  
LCM10

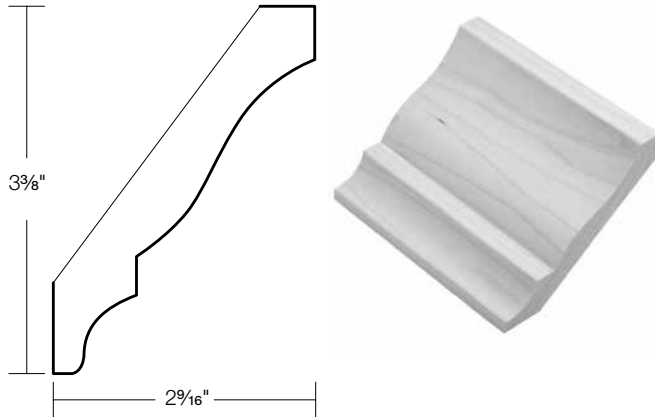
**DESIGN CONSIDERATIONS**

- Solid wood
- Finished edges indicated by dark line

**HOW TO ORDER**

- This item is sold per 8 foot length and 10 foot length.
- The lengths are nominal. An 8 foot piece of moulding will have 93" of usable length. A 10 foot piece of moulding will have 117" of usable length.
- Pricing P-355

**Block 12250 Wide Crown Moulding**



Alder, Cherry, Hickory, Lyptus,  
Maple, Oak, Walnut  
WCM8  
WCM10

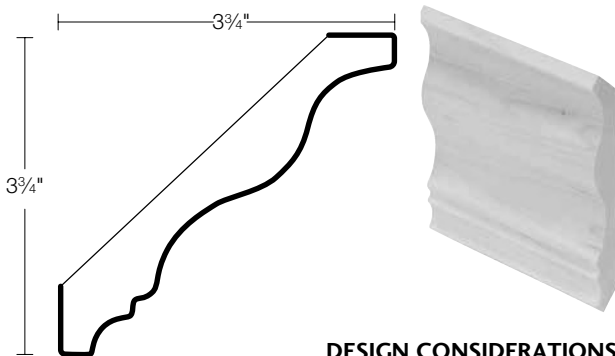
**DESIGN CONSIDERATIONS**

- Solid wood
- Finished edges indicated by dark line

**HOW TO ORDER**

- This item is sold per 8 foot length and 10 foot length.
- The lengths are nominal. An 8 foot piece of moulding will have 93" of usable length. A 10 foot piece of moulding will have 117" of usable length.
- Pricing P-355

**Block 12251 Tall Traditional Crown Moulding**



Alder, Cherry, Hickory, Lyptus,  
Maple, Oak, Walnut  
TTCM8

**DESIGN CONSIDERATIONS**

- Solid wood
- Finished edges indicated by dark line
- Designed for 93" cabinet height to reach 96" ceiling height.
- 3 3/4" projection, up and out

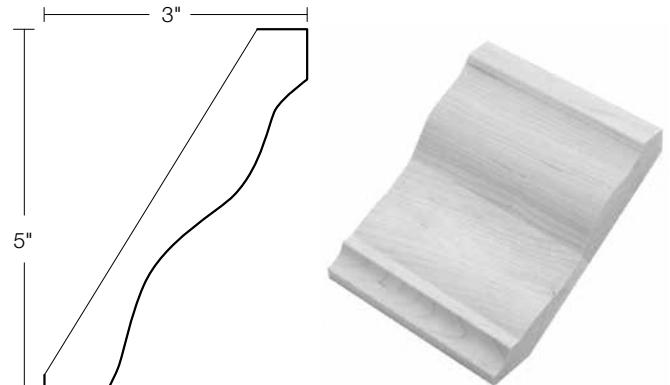
**HOW TO ORDER**

- This item is sold per 8 foot nominal length. An 8 foot piece of moulding will have 93" of usable length.
- Pricing P-355

**NOTE for blocks 12200 - 12950**

- To specify these items in a finish that is different from the cabinetry, please order them using a separate order form.
- Moulding plans available on OneTouch in the Product Info + Resources section.

**Block 12252 Extra Tall Crown Moulding**



Alder, Cherry, Hickory, Lyptus,  
Maple, Oak, Walnut  
XTCM8

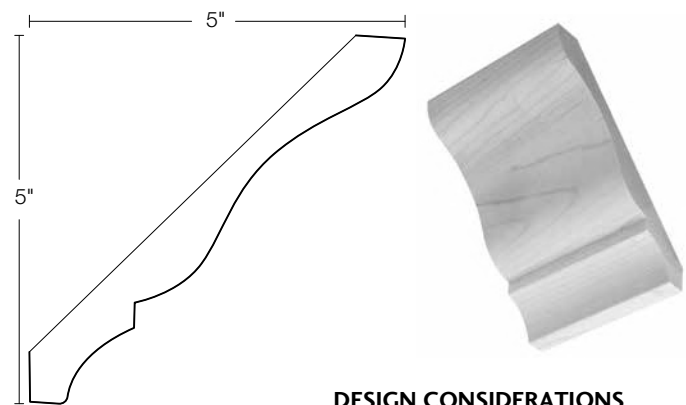
**DESIGN CONSIDERATIONS**

- Solid wood
- Finished edges indicated by dark line

**HOW TO ORDER**

- This item is sold per 8 foot nominal length. An 8 foot piece of moulding will have 93" of usable length.
- Pricing P-355

**Block 12254 Extra Wide Crown Moulding**



Alder, Cherry, Hickory, Lyptus,  
Maple, Oak, Walnut  
XWCM8

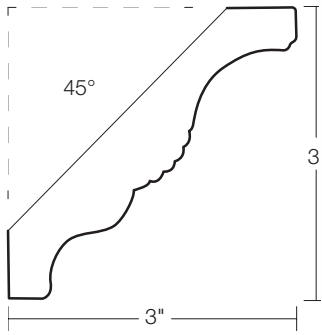
**DESIGN CONSIDERATIONS**

- Solid wood
- Finished edges indicated by dark line

**HOW TO ORDER**

- This item is sold per 8 foot nominal length. An 8 foot piece of moulding will have 93" of usable length.
- Pricing P-355

**Block 12260 Reed Crown Moulding** **I**



Alder, Cherry, Hickory, Lyptus,  
Maple, Oak, Walnut  
RCM8  
RCM10

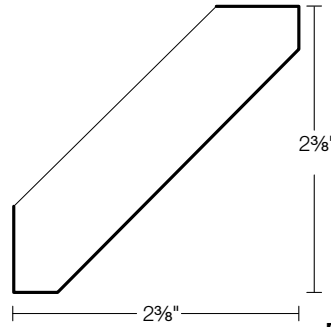
**DESIGN CONSIDERATIONS**

- Solid wood
- Finished edges indicated by dark line

**HOW TO ORDER**

- This item is sold per 8 foot length and 10 foot length.
- The lengths are nominal. An 8 foot piece of moulding will have 93" of usable length. A 10 foot piece of moulding will have 117" of usable length.
- Pricing P-355

**Block 12280 Arts & Craft Crown Moulding** **I**



Alder, Cherry, Hickory, Lyptus,  
Maple, Oak, Quarter Sawn Oak,  
Walnut  
ACCM8  
ACCM10

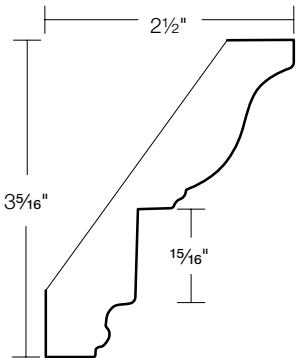
**DESIGN CONSIDERATIONS**

- Solid wood
- Finished edges indicated by dark line

**HOW TO ORDER**

- This item is sold per 8 foot length and 10 foot length.
- The lengths are nominal. An 8 foot piece of moulding will have 93" of usable length. A 10 foot piece of moulding will have 117" of usable length.
- Pricing P-356

**Block 12270 Classic Crown Moulding** **I**



Alder, Cherry, Hickory,  
Lyptus, Maple, Oak,  
Walnut  
CCM8  
CCM10

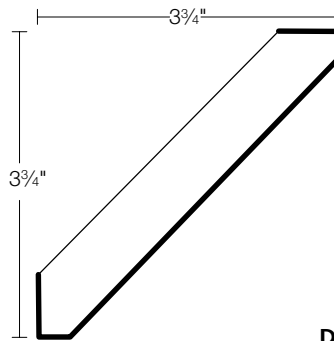
**DESIGN CONSIDERATIONS**

- Solid wood
- Finished edges indicated by dark line

**HOW TO ORDER**

- This item is sold per 8 foot length and 10 foot length.
- The lengths are nominal. An 8 foot piece of moulding will have 93" of usable length. A 10 foot piece of moulding will have 117" of usable length.
- Pricing P-356

**Block 12281 Tall Arts & Craft Crown Moulding** **I**



Alder, Cherry, Hickory, Lyptus,  
Maple, Oak, Walnut  
TACM8

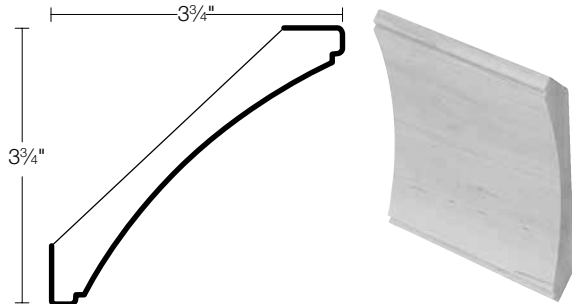
**DESIGN CONSIDERATIONS**

- Solid wood
- Finished edges indicated by dark line
- Designed for 93" cabinet height to reach 96" ceiling height.
- 3/4" projection, up and out

**HOW TO ORDER**

- This item is sold per 8 foot nominal length. An 8 foot piece of moulding will have 93" of usable length.
- Pricing P-356

**Block 12399 Tall Cove Crown Moulding**



**Alder, Cherry, Hickory, Lyptus,  
Maple, Oak, Walnut  
TCCM8**

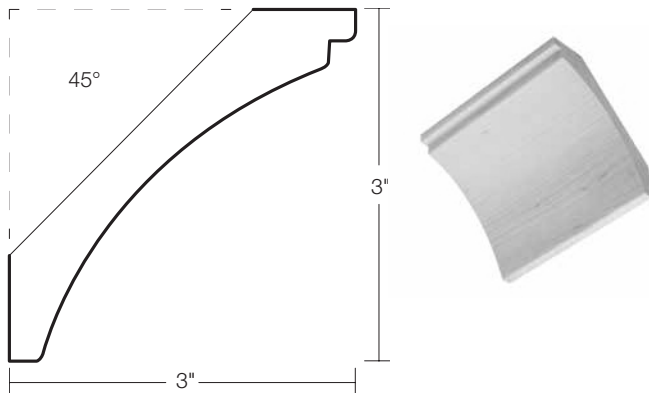
**DESIGN CONSIDERATIONS**

- Solid wood
- Finished edges indicated by dark line
- Designed for 93" cabinet height to reach 96" ceiling height.
- 3 3/4" projection, up and out

**HOW TO ORDER**

- This item is sold per 8 foot nominal length. An 8 foot piece of moulding will have 93" of usable length.
- Pricing P-356

**Block 12400 Large Cove Crown Moulding**



**Alder, Cherry, Hickory, Lyptus,  
Maple, Oak, Quarter Sawn Oak,  
Walnut  
LCCM8  
LCCM10**

**DESIGN CONSIDERATIONS**

- Solid wood
- Finished edges indicated by dark line

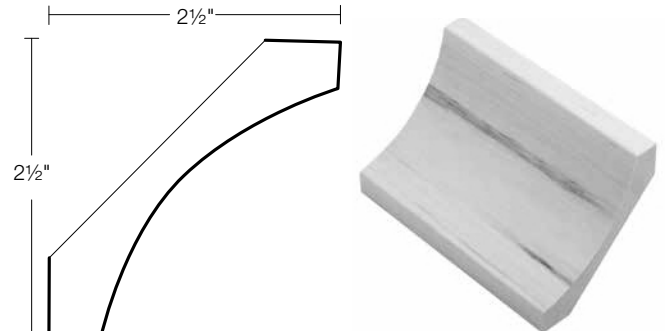
**HOW TO ORDER**

- This item is sold per 8 foot length and 10 foot length.
- The lengths are nominal. An 8 foot piece of moulding will have 93" of usable length. A 10 foot piece of moulding will have 117" of usable length.
- Pricing P-356

**NOTE for blocks 12200 - 12950**

- To specify these items in a finish that is different from the cabinetry, please order them using a separate order form.
- Moulding plans available on OneTouch in the Product Info + Resources section.

**Block 12405 Medium Cove Crown Moulding**



**Alder, Cherry, Hickory, Lyptus,  
Maple, Oak, Walnut  
MCCM8**

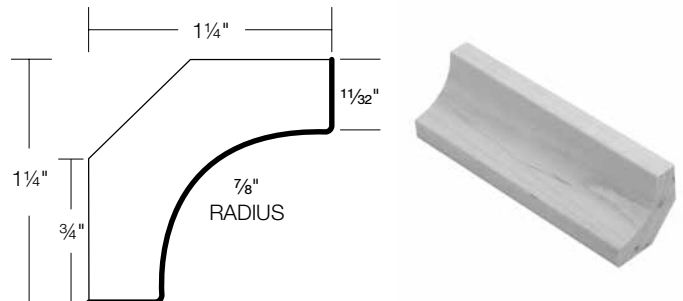
**DESIGN CONSIDERATIONS**

- Solid wood
- Finished edges indicated by dark line

**HOW TO ORDER**

- This item is sold per 8 foot nominal length. An 8 foot piece of moulding will have 93" of usable length.
- Pricing P-356

**Block 12410 Large Cove Moulding**



**Alder, Cherry, Hickory, Lyptus,  
Maple, Oak, Quarter Sawn Oak,  
Walnut  
LC8  
LC10**

**DESIGN CONSIDERATIONS**

- Solid wood
- Can be used with LCOM or LCIM
- Finished edges indicated by dark line

**HOW TO ORDER**

- This item is sold per 8 foot length and 10 foot length.
- The lengths are nominal. An 8 foot piece of moulding will have 93" of usable length. A 10 foot piece of moulding will have 117" of usable length.
- Pricing P-356