

Starmark Cabinetry -- Inset -- \$8590 -- SALE ENDS MAY 28

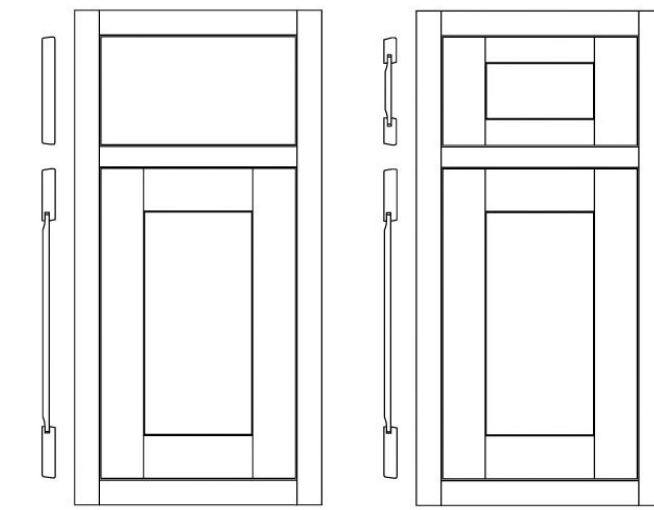
5- Piece drawer fronts add \$450 Domestic clear glass add \$190

Granite Countertop ranges from \$1600 to \$2100

Cabinet installation \$1150



GILLETTE



Standard slab drawer header

Optional 5-piece drawer header

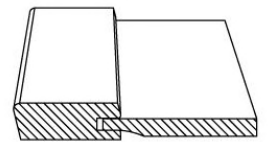
Door Frame: 3/4" thick square 2 1/4" stiles and rails

Door Center Panel: Solid 3/8" reverse flat panel

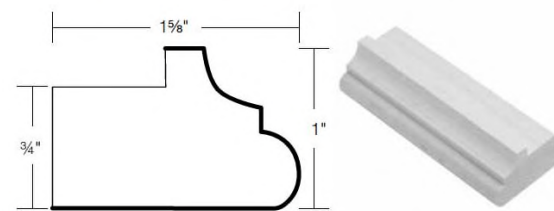
Drawer Header Center Panel: Solid 3/8" reverse flat panel on 5-piece drawer header

Drawer Header Stile Width: 2 1/4"

Drawer Header Rail Width: 1 1/2"



Block 12750 Beaded Light Shield Moulding



Alder, Cherry, Hickory, Lyptus, Maple, Oak, Walnut
BLSM8
BLSM10

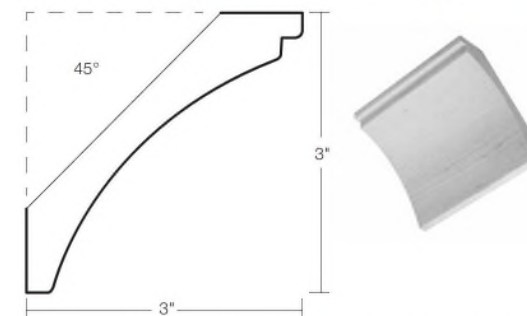
DESIGN CONSIDERATIONS

- Solid wood
- For use as moulding under a wall cabinet
- Finished edges indicated by dark line

HOW TO ORDER

- This item is sold per 8 foot length and 10 foot length.
- The lengths are nominal. An 8 foot piece of moulding will have 93" of usable length. A 10 foot piece of moulding will have 117" of usable length.
- Pricing P-363

Block 12400 Large Cove Crown Moulding



Alder, Cherry, Hickory, Lyptus, Maple, Oak, Quarter Sawn Oak, Walnut
LCCM8
LCCM10

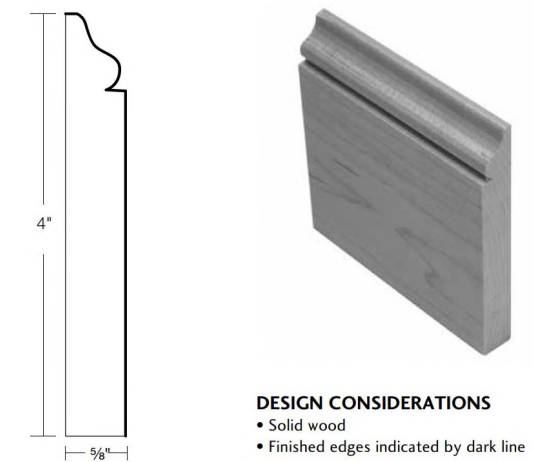
DESIGN CONSIDERATIONS

- Solid wood
- Finished edges indicated by dark line

HOW TO ORDER

- This item is sold per 8 foot length and 10 foot length.
- The lengths are nominal. An 8 foot piece of moulding will have 93" of usable length. A 10 foot piece of moulding will have 117" of usable length.
- Pricing P-357

Block 12588 Base Furniture Moulding



Alder, Cherry, Hickory, Lyptus, Maple, Oak, Walnut
MBFM8

DESIGN CONSIDERATIONS

- Solid wood
- Finished edges indicated by dark line

HOW TO ORDER

- This item is sold per 8 foot nominal length. An 8 foot piece of moulding will have 93" of usable length.
- Pricing P-359