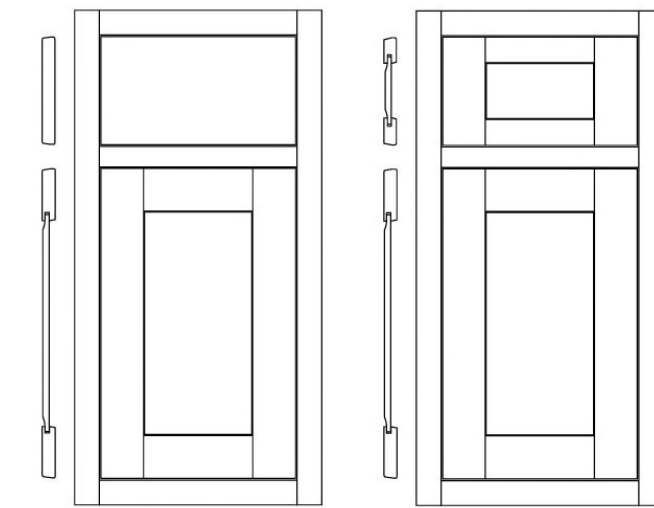




**Starmark Cabinetry -- Inset -- \$9990 -- SALE ENDS MAY 28**  
**5- Piece drawer fronts add \$450... Domestic clear glass add \$190**  
**Granite Countertop ranges from \$1600 to \$2100**  
**Cabinet installation \$1350 -- two trips**

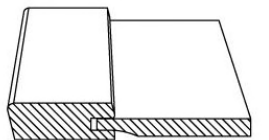
GILLETTE



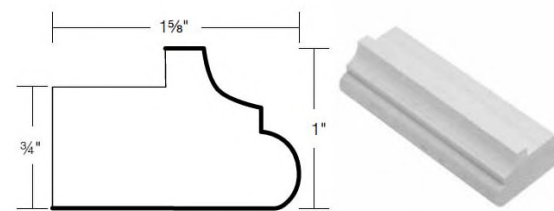
Standard slab drawer header

Optional 5-piece drawer header

**Door Frame:** 3/4" thick square 2 1/4" stiles and rails  
**Door Center Panel:** Solid 3/8" reverse flat panel  
**Drawer Header Center Panel:** Solid 3/8" reverse flat panel on 5-piece drawer header  
**Drawer Header Stile Width:** 2 1/4"  
**Drawer Header Rail Width:** 1 1/2"



**Block 12750 Beaded Light Shield Moulding**



Alder, Cherry, Hickory, Lyptus, Maple, Oak, Walnut  
 BLSM8  
 BLSM10

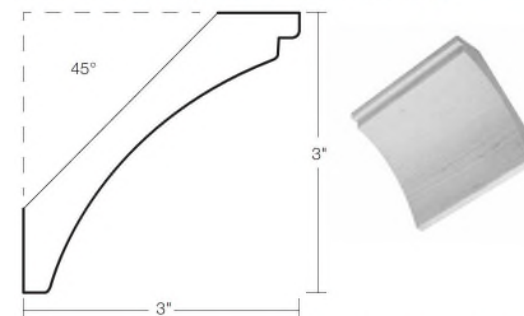
**DESIGN CONSIDERATIONS**

- Solid wood
- For use as moulding under a wall cabinet
- Finished edges indicated by dark line

**HOW TO ORDER**

- This item is sold per 8 foot length and 10 foot length.
- The lengths are nominal. An 8 foot piece of moulding will have 93" of usable length. A 10 foot piece of moulding will have 117" of usable length.
- Pricing P-363

**Block 12400 Large Cove Crown Moulding**



Alder, Cherry, Hickory, Lyptus, Maple, Oak, Quarter Sawn Oak, Walnut  
 LCCM8  
 LCCM10

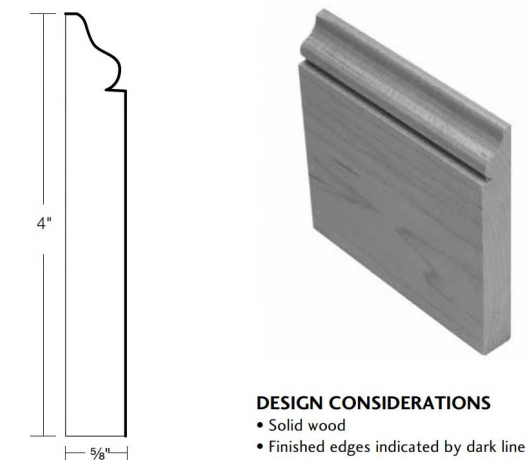
**DESIGN CONSIDERATIONS**

- Solid wood
- Finished edges indicated by dark line

**HOW TO ORDER**

- This item is sold per 8 foot length and 10 foot length.
- The lengths are nominal. An 8 foot piece of moulding will have 93" of usable length. A 10 foot piece of moulding will have 117" of usable length.
- Pricing P-357

**Block 12588 Base Furniture Moulding**



Alder, Cherry, Hickory, Lyptus, Maple, Oak, Walnut  
 MBFM8

**DESIGN CONSIDERATIONS**

- Solid wood
- Finished edges indicated by dark line

**HOW TO ORDER**

- This item is sold per 8 foot nominal length. An 8 foot piece of moulding will have 93" of usable length.
- Pricing P-359